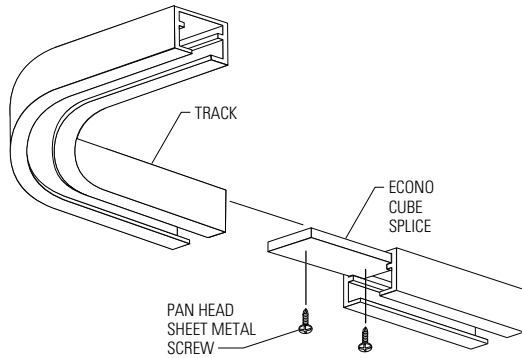


Installation Instructions

Econo Cube Track

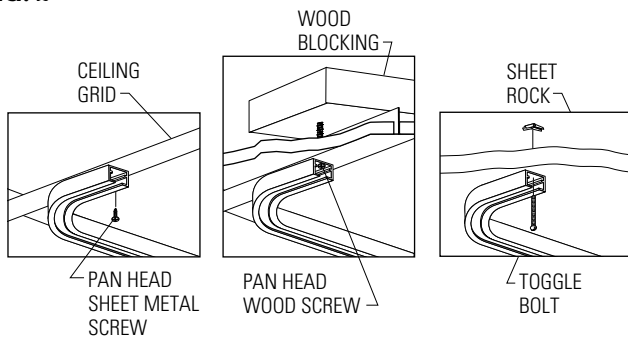
FIG. 1



Note: Verify the drop ceiling is installed and functioning properly before installing track.

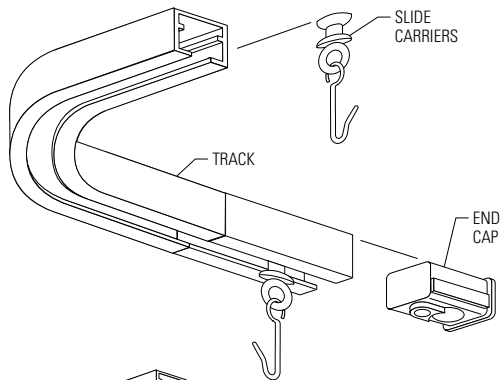
1. Layout track sections on the floor. Join bends to straight sections of track with a splice. Attach splice to track with sheet metal screws. Trim track sections as required by layout. (See Figure 1)

FIG. 2



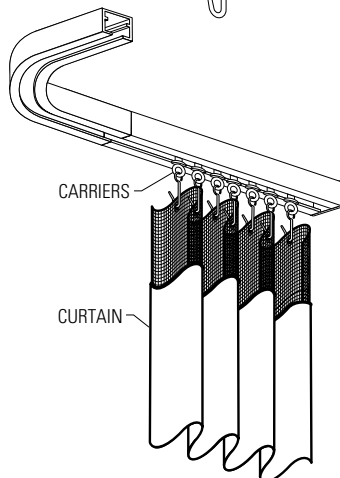
2. Attach the track assembly to the ceiling with one of the following methods:
 - Option 2a.** On a ceiling grid, attach with sheet metal screws at each grid.
 - Option 2b.** With wood blocking*, attach with pan head wood screws through the ceiling tile and into the blocking.
 - Option 2c.** On sheet rock, attach with toggle bolt assemblies through the sheet rock.
 With all methods, fasteners should be spaced 24". (See Figure 2)

FIG. 3



3. Slide the carriers on the track and attach end caps on the open ends (See Figure 3).

FIG. 4



4. Attach curtains to the carriers. (See Figure 4)

* Check your local fire codes for maximum amount of wood allowed when using wood blocking.