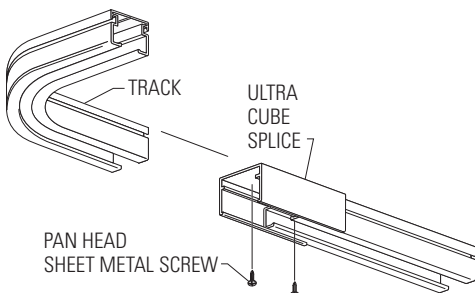


# Installation Instructions

## Ultra Cube Track with IV

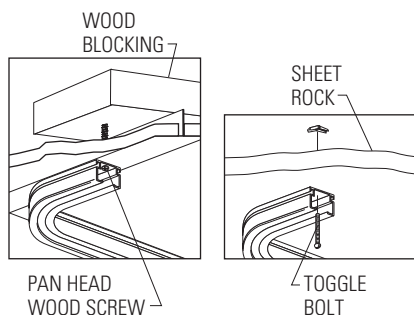
FIG. 1



**Note:** Verify the drop ceiling is installed and functioning properly before installing track.

1. Layout track sections on the floor. Join bends to straight sections of track with a splice. Attach splice to track with sheet metal screws. Trim track sections as required by layout. (See Figure 1)

FIG. 2



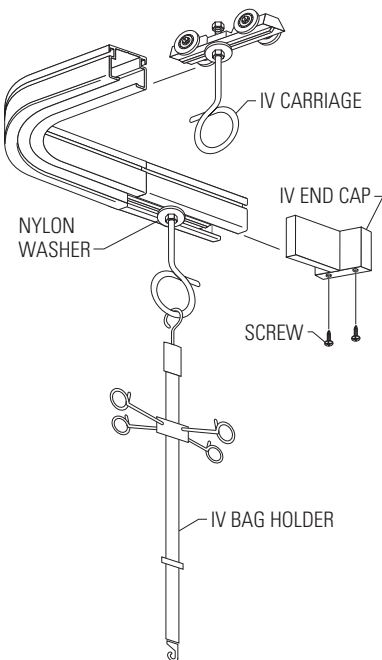
2. Attach the track assembly to the ceiling with one of the following methods:

**Option 2a.** With wood blocking\* or sheet metal, attach with pan head wood screws through the ceiling tile and into the blocking.

**Option 2b.** On sheet rock, attach with toggle bolt assemblies through the sheet rock.

With all methods, fasteners should be spaced 24". (See Figure 2)

FIG. 3



3. Slide the IV carriage in the track making sure the nylon washer on the carriage is below the track. Attach end caps on the open ends. Attach IV bag holder to the carriage. (See Figure 3)

4. To operate the IV carriage, rotate the bag holder clockwise until the carriage locks on the track. To loosen, rotate the bag holder counterclockwise and slide the carriage by moving the bag holder. Carriage may need to be loosened more when moving around bends.

\* Check your local fire codes for maximum amount of wood allowed when using wood blocking.